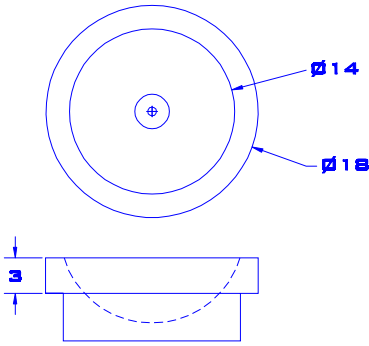




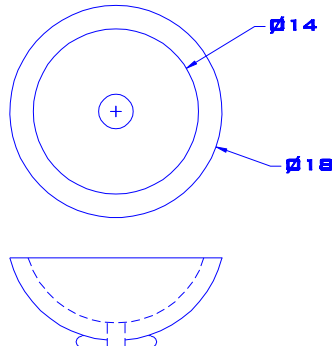
**S O U P C A N**

# VESSEL

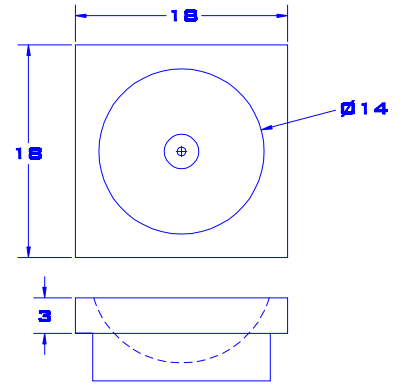
**VESSEL: INDIVIDUAL BOWLS CAN BE STAND ALONE OR COMBINED FOR LARGER VANITY AREAS. ALL VESSELS CAN BE ORDERED WITH STANDARD OR BLIND DRAIN CONFIGURATIONS. CUSTOM VESSELS CAN BE FABRICATED IN ANY SIZE OR SHAPE. TYPICAL INSTALLATIONS WOULD BE THROUGH THE TOP OF A COUNTERTOP SURFACE, BUT THEY CAN BE MODIFIED FOR STAND OR FLATING APPLICATIONS AS WELL.**



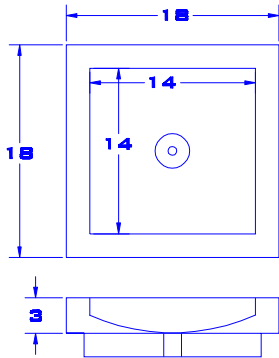
**ZERO**



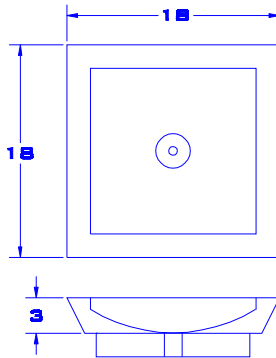
**VINO**



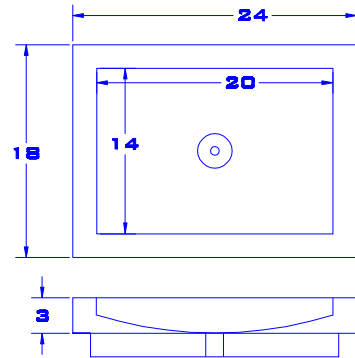
**TARGET**



**MINIMA-SQ**



**MINIMA-A**



**MINIMA-R**

**PICTURED ABOVE:  
WALL MOUNT OR DECK MOUNT FAUCET  
STANDARD DRAIN CONFIGURATION  
CUSTOMIZATION: LENGTH, WIDTH, HEIGHT, DRAIN LOCATION, DRAIN TYPE  
INTENDED INSTALLATION: CABINET, WALL, OR STAND MOUNTED**