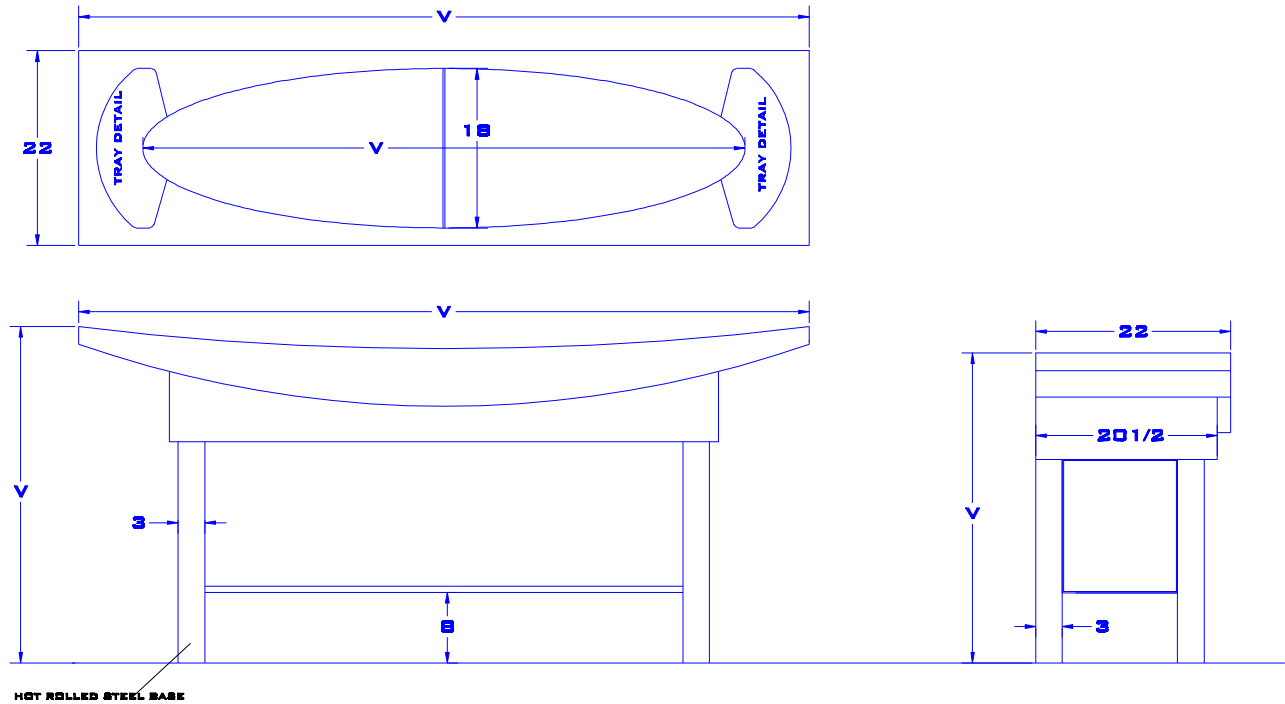




**S O U P C A N**

## CANOE

**CANOE: OUR MOST AMBITIOUS DESIGN TO DATE, CANOE REFLECTS THE FLUID NATURE OF CONCRETE; A BLIND DRAIN CONFIGURATION IS FEATURED ON THE TROUGH. CANOE IS CONFIGURED AS A SINGLE TROUGH DESIGN (UP TO 10 FT. IN LENGTH). THE SINK IS SUPPLIED WITH A HOT ROLLED PLATE STEEL BASE WITH ACCESSORY SHELF. IN ADDITION TO BASE MOUNTING, CANOE CAN BE CABINET MOUNTED OR WALL MOUNTED (WITH OUR 3/8" PLATE STEEL BRACKET).**



**PICTURED ABOVE:  
WALL MOUNT FAUCET ONLY  
BLIND DRAIN CONFIGURATION  
CUSTOMIZATION: LENGTH, WIDTH, HEIGHT  
INTENDED INSTALLATION: HOT ROLLED PLATE STEEL BASE**